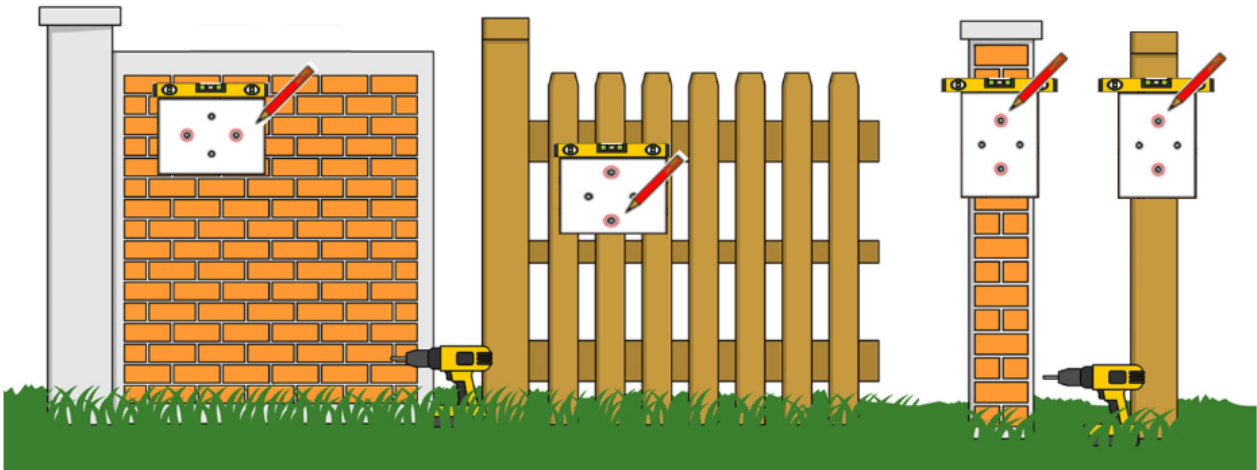
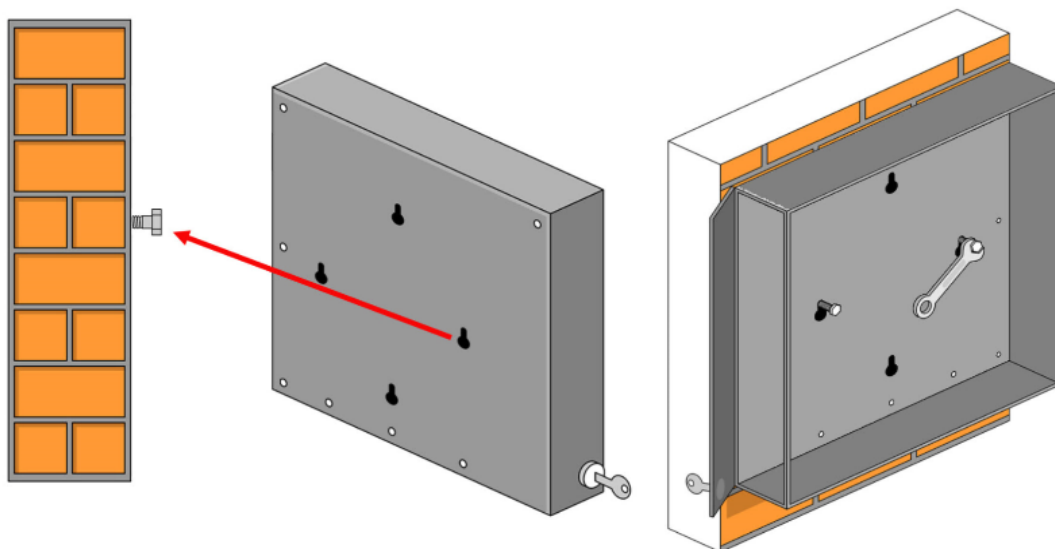


If mounting the Letterbox to a single vertical post, then use the 2 vertical holes on the rear of the box,

If mounting the Letterbox on a solid wall or a fence with horizontal rails, then use the 2 horizontal holes.



1. Using the template, position it in the desired location (template is the same size as Letterbox)
2. Use a Spirit Level to make sure the template is level, then mark either the 2 vertical / center holes, or the 2 horizontal mounting holes.
3. Now drill the 2 marked holes. You will require a 7mm diameter masonry drill for mounting to Render, Brick, Concrete, or Stone. Or a normal 4mm drill for timber or steel.
4. If mounting onto Render, Brick, Concrete, or Stone, you will now insert the 2 green plastic raw plugs into the holes.
5. Now screw the bolts into the holes until the head sits out roughly 8mm.
6. Then lift the Letterbox so that the keyholes in the back fit over the heads of the 2 bolts and drops down into the narrower section of the keyhole.
7. Now simply open the side door, and tighten the 2 bolts firmly against the letterbox, to secure it in place.



#### Maintenance

Wash with warm soapy water. For stubborn marks try a little bit of Kerosene.

Do not use scourers.

We use a high quality lock with a brass tumbler to avoid corrosion, but if the lock becomes hard to turn, try squirting a small amount of WD 40 into the cylinder to loosen it up.